

Taylor Seat



Specifications

DIMENSIONS*
W:1800mm H:790mm D:590mm

FRAME
Powder coated steel trim and cross bar, with
Powder coated aluminium legs, slat frame and armrests.

or Brushed 304 grade stainless steel trim and cross bar,
with Polished aluminium legs, slat frame and armrests.

END CAPS
Powder coated aluminium,

or Brushed 304 grade stainless steel,

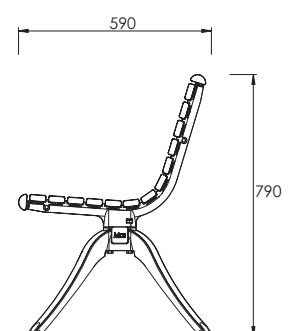
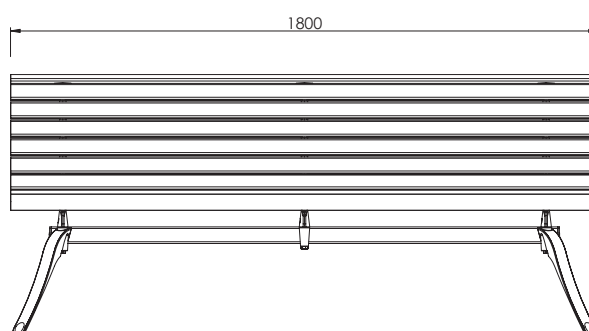
or Brass plated aluminium.

SLATS
Select grade hardwood,

or Timber composite.

Alternative materials & finishes
available upon request.

*Dimensions may vary slightly
depending on specified options.



MOS[®]